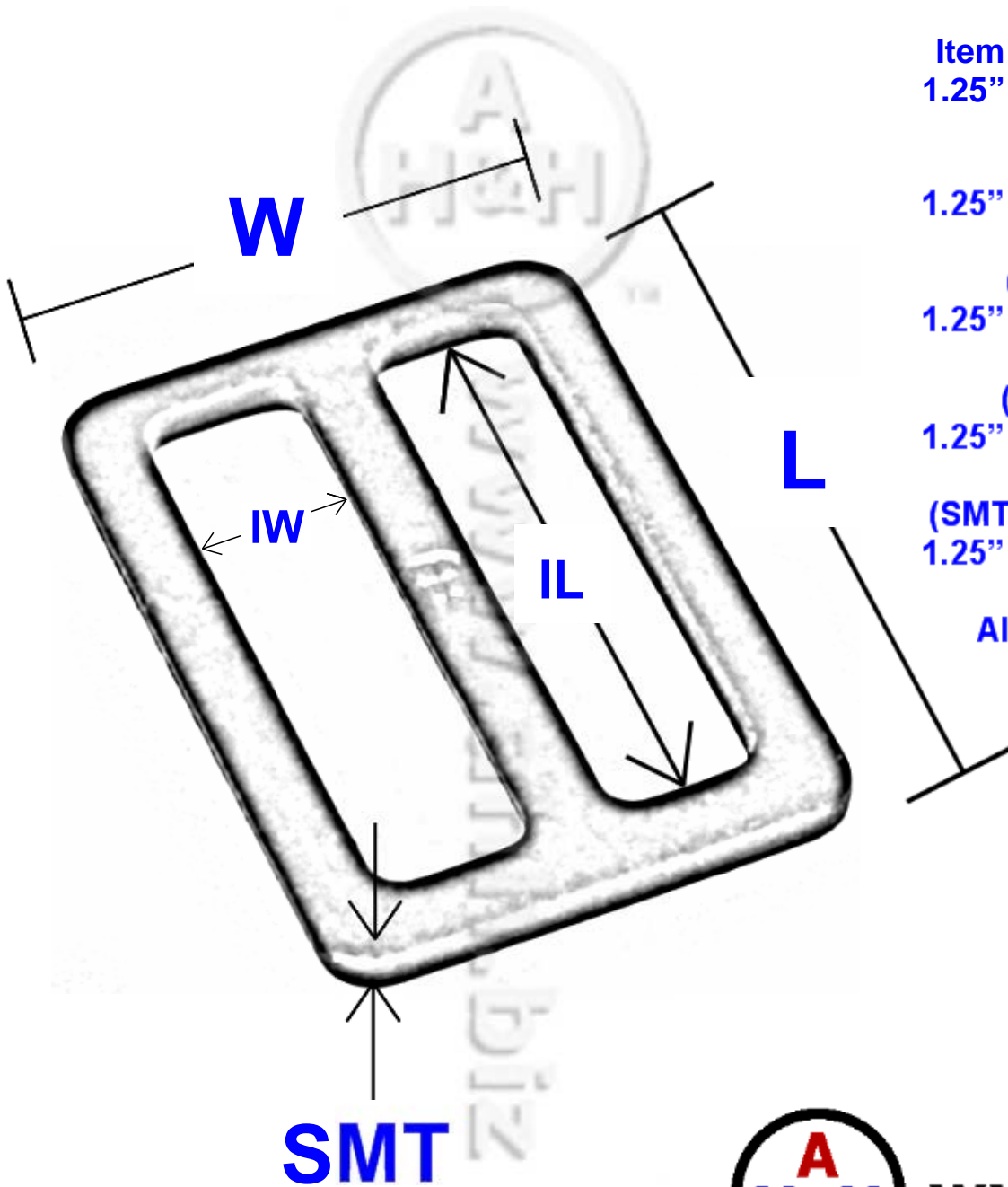


**Meets Military
Specifications**

**Tri-Glide 1 1/4"
MIL-L-3851 MS51940-4S
A-A-55620**



Item	(L) Length Model #	Size
1.25"	(#MSTRG125)	1.630"
1.25"	(W) Width Model #	1.128"
1.25"	(IW) Interior Width Model #	0.310"
1.25"	(IL) Interior Length Model #	1.302"
1.25"	(SMT) Sheet Metal Thickness Model #	0.093"

All Sizes are +/- 0.005"



www.ahh.biz
Specialized Textile Outfitters
1-866-458-2559